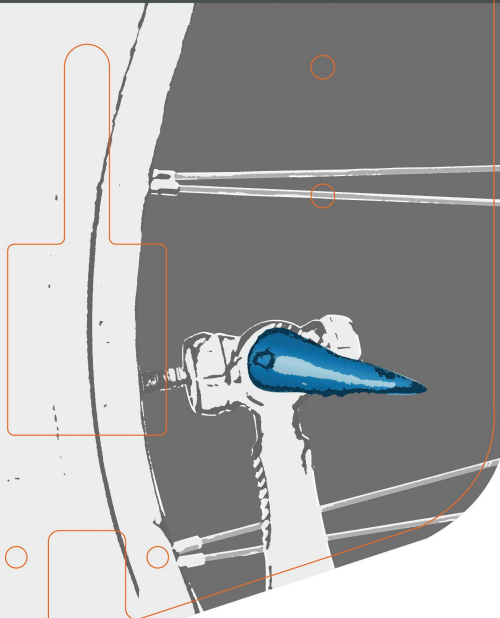




HIGH PRESSURE FLOOR PUMP

GIYO TWIN-VALVE



GF-5425
max. 160 psi

2.5" Top-Mounted gauge •
Twin-Valve with Thumb-Lock lever •

GF-56
max. 160 psi

2" Top-Mounted gauge •
Twin-Valve with Thumb-Lock lever •

GF-62
max. 160 psi

Aluminum barrel and air-flow tube •
Twin-Valve 2" Top-Mounted gauge •
with Thumb-Lock lever •

GF-63P
max. 160 psi

2" High-Mounted gauge •
Twin-Valve with Thumb-Lock lever •

GF-72
max. 180 psi

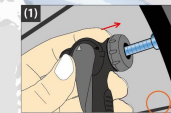
2.5" Base-Mounted gauge •
Twin-Valve with Thumb-Lock lever •

GF-75ST
max. 160 psi

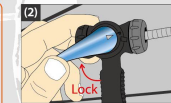
2.5" Base-Mounted gauge •
Twin-Valve with
Thumb-Lock lever •

Made in Taiwan

INSTRUCTION



Choose correct pump valve and insert it to tire valve.



Push lever toward tire valve's other direction to lock, then inflate.

(3) After inflating desired pressure, unlock the lever and take the pump head off the tire.