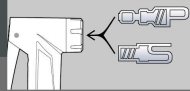


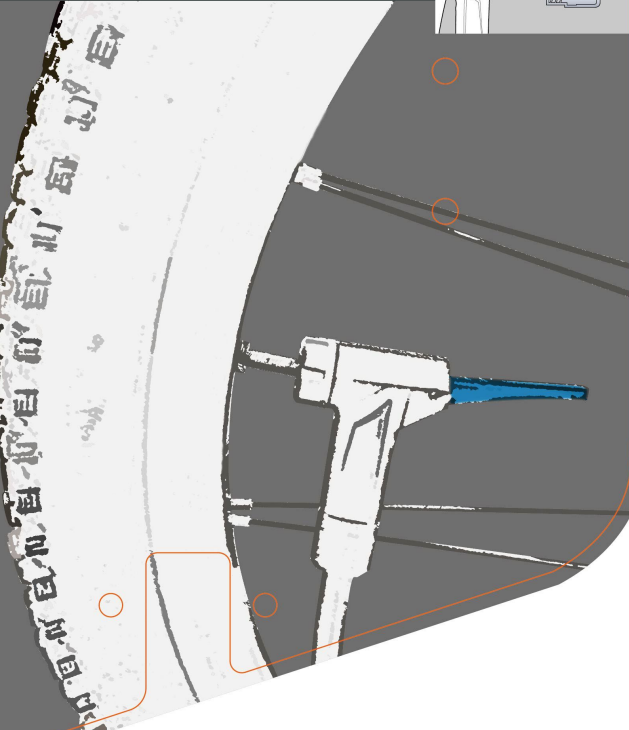


HIGH PRESSURE FLOOR PUMP

MAX. 160PSI



CLEVER VALVE



GF-36P
max. 160 psi

2" Top-Mounted gauge •
Clever Valve: No more reverse for •
Presta and Schrader

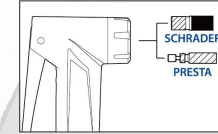
GF-54
max. 160 psi

2" Top-Mounted gauge •
Clever Valve: No more reverse for •
Presta and Schrader

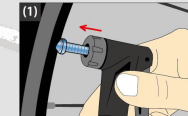
GF-54E
max. 160 psi

2.5" Top-Mounted gauge •
Clever Valve: No more reverse for •
Presta and Schrader

INSTRUCTION



▲ Clever Valve



(1) Insert pump head to tire valve.



(2) Flip up the lever to securely hold the valve, then inflate.

(3) After inflating desired pressure, unlock the lever and take the pump head off the tire.

Made in Taiwan